

CREATING INDIVIDUAL LIGHTING MOODS. **ESY!**

**LONG-LIFE LED DOWNLIGHTS
IN A RANGE OF DESIGNS**

VERSATILE ILLUMINATION

They can be used as standalone overhead lighting or to complement a main lighting fixture, helping to give shape to entire spaces: downlights have long been an integral part of the typical appearance of hallways, stairwells or lobbies. The variety of different environments requires a similarly diverse portfolio. ESYLUX therefore offers a selection of LED downlights that not only meet individual spatial requirements but also satisfy personal preferences and the particular operating mode preferred in each case. Their long-life technology is particularly impressive – as is the installation process, which is as simple as ever!

ALICIA:

Variable light accents for every room

- Pivoting lamp head (by up to 25°)
- Variants with different beam angles (15°, 24° and 36°)
- Best glare suppression in the downlights sector
- UGR ≤ 16



ELSA / ELSA-2:

Classic design with easy handling

- High-quality, round aluminium housing
- Protection type IP20, below the ceiling IP44
- Flicker-free light
- Variants with integrated presence or motion detector, optimised for controlling additional LED lights (ELSA-2)
- DALI variants with SwitchDIM function for 230 V push button (ELSA-2)



ELSA SQUARE:

Clear design language for straight-line architecture

- High-quality square aluminium housing
- Ballast included in delivery
- Simple plug-in connection of the ballast to the light
- Protection type IP20, below the ceiling IP44
- Flicker-free light



STINA:

Create effective lighting moods

- High-quality aluminium housing
- Variants with a variety of beam angles (25°, 38° and 60°)
- Best glare suppression in the downlights sector
- UGR ≤ 16

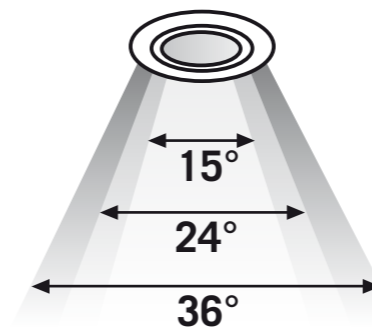


FLEXIBLE ACCENTUATION

ALICIA SERIES

The great variety of ALICIA downlights means they are able to satisfy almost any desire when it comes to creating individual lighting moods. They are available with a range of beam angles and also feature a lamp head that can pivot by up to 25 degrees. This makes them ideally suited for spotlighting and effect lighting as well as for illuminating small areas, providing variable, anti-glare tapered light for accented room lighting.

- High-quality aluminium housing
- Pivoting lamp head (by up to 25°)
- Variants with different beam angles (15°, 24° and 36°)
- Suitable for computer workplaces and technical drawing in accordance with DIN EN 12464-1 (UGR ≤ 16)



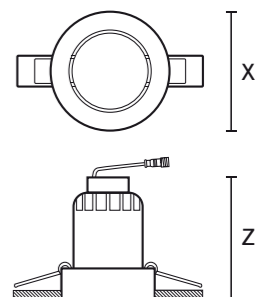
Designs with various beam angles of 15, 24 or 36 degrees are available.

General technical data

Nominal voltage	230 V / 50 Hz
Rated life time L_{50}/B_{50} at 25°C	55000 h
Colour rendering index (CRI)	> 80
Unified Glare Rating	≤ 16
Permissible ambient temperature	-20 °C...+40 °C
Protection type	IP20 / IP44 (built-in)
Protection class	II
Installation type	Built-in
Installation position	Ceiling
Material	Aluminium, powder-coated white

Technical and design features may be subject to change.
The power output may deviate from the specified value by +/- 10 %.
The light contains built-in LED lamps. The lamps in the light cannot be changed.

ALICIA / Ø 68 mm / 15° / 24° / 36°



- Pivoting lamp head for targeted lighting
- Best glare suppression in the downlights sector

PRODUCT OVERVIEW

- High-quality aluminium housing
- Pivoting lamp head (by up to 25°)
- Variants with different beam angles (15°, 24° and 36°)
- Suitable for computer workplaces and technical drawing in accordance with DIN EN 12464-1 (UGR ≤ 16)
- Flicker-free light for healthy and fatigue-free work
- Integrated ballast included in delivery
- Simple plug-in connection of the ballast to the light



Product group / product name	Item no.	Colour temperature	Luminous flux (light)	Rated output	Luminous efficacy	Unified Glare Rating	230 V (ON / OFF)	1 - 10 V	DALI	ELC	BT (Bluetooth)	KNX	Sensor	Dimensions (mm)
9 W / 3000 K / Ø 68 mm / 15°														
ALICIA DL 68 TR 15° 600 830 WH (white, similar to RAL 9003)	EO10302008	3000 K	610 lm	9 W	67 lm/W	≤ 16	•							X 75, Z 79
ALICIA DL 68 TR 15° 600 830 DALI WH (white, similar to RAL 9003)	EO10302107	3000 K	610 lm	9 W	67 lm/W	≤ 16		•						X 75, Z 79
ALICIA DL 68 TR 15° 600 830 1-10V WH (white, similar to RAL 9003)	EO10302206	3000 K	610 lm	9 W	67 lm/W	≤ 16	•							X 75, Z 79
9 W / 3000 K / Ø 68 mm / 24°														
ALICIA DL 68 TR 24° 600 830 WH (white, similar to RAL 9003)	EO10302022	3000 K	610 lm	9 W	67 lm/W	≤ 16	•							X 75, Z 79
ALICIA DL 68 TR 24° 600 830 DALI WH (white, similar to RAL 9003)	EO10302121	3000 K	610 lm	9 W	67 lm/W	≤ 16		•						X 75, Z 79
ALICIA DL 68 TR 24° 600 830 1-10V WH (white, similar to RAL 9003)	EO10302220	3000 K	610 lm	9 W	67 lm/W	≤ 16	•							X 75, Z 79
9 W / 3000 K / Ø 68 mm / 36°														
ALICIA DL 68 TR 36° 600 830 WH (white, similar to RAL 9003)	EO10302046	3000 K	610 lm	9 W	67 lm/W	≤ 16	•							X 75, Z 79
ALICIA DL 68 TR 36° 600 830 DALI WH (white, similar to RAL 9003)	EO10302145	3000 K	610 lm	9 W	67 lm/W	≤ 16		•						X 75, Z 79
ALICIA DL 68 TR 36° 600 830 1-10V WH (white, similar to RAL 9003)	EO10302244	3000 K	610 lm	9 W	67 lm/W	≤ 16	•							X 75, Z 79

Product group / product name	Item no.	Colour temperature	Luminous flux (light)	Rated output	Luminous efficacy	Unified Glare Rating	230 V (ON / OFF)	1 - 10 V	DALI	ELC	BT (Bluetooth)	KNX	Sensor	Dimensions (mm)
9 W / 4000 K / Ø 68 mm / 15°														
ALICIA DL 68 TR 15° 600 840 WH (white, similar to RAL 9003)	EO10302015	4000 K	610 lm	9 W	67 lm/W	≤ 16	•							X 75, Z 79
ALICIA DL 68 TR 15° 600 840 DALI WH (white, similar to RAL 9003)	EO10302114	4000 K	610 lm	9 W	67 lm/W	≤ 16		•						X 75, Z 79
ALICIA DL 68 TR 15° 600 840 1-10V WH (white, similar to RAL 9003)	EO10302213	4000 K	610 lm	9 W	67 lm/W	≤ 16	•							X 75, Z 79
9 W / 4000 K / Ø 68 mm / 24°														
ALICIA DL 68 TR 24° 600 840 WH (white, similar to RAL 9003)	EO10302039	4000 K	610 lm	9 W	67 lm/W	≤ 16	•							X 75, Z 79
ALICIA DL 68 TR 24° 600 840 DALI WH (white, similar to RAL 9003)	EO10302138	4000 K	610 lm	9 W	67 lm/W	≤ 16		•						X 75, Z 79
ALICIA DL 68 TR 24° 600 840 1-10V WH (white, similar to RAL 9003)	EO10302237	4000 K	610 lm	9 W	67 lm/W	≤ 16	•							X 75, Z 79
9 W / 4000 K / Ø 68 mm / 36°														
ALICIA DL 68 TR 36° 600 840 DALI WH (white, similar to RAL 9003)	EO10302152	4000 K	610 lm	9 W	67 lm/W	≤ 16		•						X 75, Z 79
ALICIA DL 68 TR 36° 600 840 1-10V WH (white, similar to RAL 9003)	EO10302251	4000 K	610 lm	9 W	67 lm/W	≤ 16	•							X 75, Z 79

Technical and design features may be subject to change.
 The power output may deviate from the specified value by +/- 10 %.
 The light contains built-in LED lamps. The lamps in the light cannot be changed.

ELEGANCE WITH VARIETY

ELSA SERIES

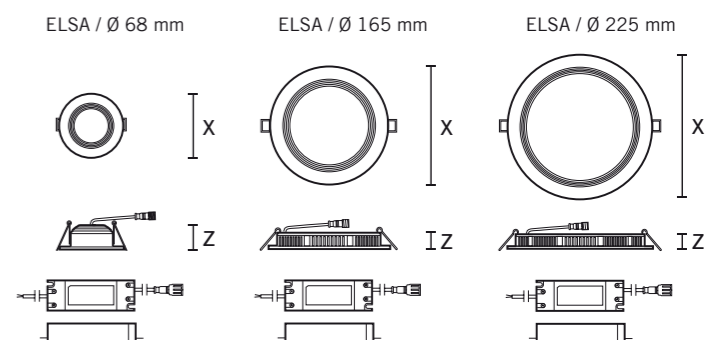
The ELSA series features classic downlights with a minimalist design that makes them ideal for complementing a main lighting fixture or for use as a standalone solution, for example in hallways or entrances. The low installation depth simplifies installation, with no additional accessories required. A large number of designs in various sizes, shapes, output types, light colours and operating modes increase the application possibilities – and the lighting creates a harmonious look.

- High-quality aluminium housing with low installation depth
- Installation with no additional accessories, electronic ballast included in delivery
- Simple plug-in connection of the electronic ballast to the light
- Protection type IP20, below the ceiling IP44
- Flicker-free light for healthy and fatigue-free working



General technical data

Nominal voltage	230 V / 50 Hz
Rated life time L_{50}/B_{50} at 25°C	40000 h
Colour rendering index (CRI)	> 80
Permissible ambient temperature	-20 °C...+40 °C
Protection type	IP20 / IP44 (built-in)
Protection class	II
Installation type	Built-in
Installation position	Ceiling
Material	Aluminium, powder-coated white



- High-quality aluminium housing with low installation depth

Technical and design features may be subject to change.
The power output may deviate from the specified value by +/- 10 %.
The light contains built-in LED lamps. The lamps in the light cannot be changed.

PRODUCT OVERVIEW

- High-quality aluminium housing with low installation depth
- Installation with no additional accessories, electronic ballast included in delivery
- Simple plug-in connection of the electronic ballast to the light
- Protection type IP20, below the ceiling IP44
- Flicker-free light for healthy and fatigue-free working



Product group / product name	Item no.	Colour temperature	Luminous flux (light)	Rated output	Luminous efficacy	Unified Glare Rating	230 V (ON / OFF)	1 - 10 V	DALI	ELC	BT (Bluetooth)	KNX	Sensor	Dimensions (mm)
5 W / 3000 K / Ø 68 mm / 100°														
ELSA DL 68 OP 100° 400 830 DALI WH (white, similar to RAL 9003)	E010300202	3000 K	380 lm	5 W	76 lm/W	≤ 25			•					X 97, Z 45
5 W / 4000 K / Ø 68 mm / 100°														
ELSA DL 68 OP 100° 400 840 1-10V WH (white, similar to RAL 9003)	E010300110	4000 K	410 lm	5 W	82 lm/W	≤ 25		•						X 97, Z 45
ELSA DL 68 OP 100° 400 840 DALI WH (white, similar to RAL 9003)	E010300219	4000 K	410 lm	5 W	82 lm/W	≤ 25			•					X 97, Z 45
9 W / 3000 K / Ø 165 mm / 120°														
ELSA DL 165 OP 120° 800 830 WH (white, similar to RAL 9003)	E010300028	3000 K	800 lm	9 W	88 lm/W	≤ 25		•						X 180, Z 27
ELSA DL 165 OP 120° 800 830 DALI WH (white, similar to RAL 9003)	E010300226	3000 K	800 lm	9 W	88 lm/W	≤ 25			•					X 180, Z 27
9 W / 4000 K / Ø 165 mm / 120°														
ELSA DL 165 OP 120° 900 840 DALI WH (white, similar to RAL 9003)	E010300233	4000 K	850 lm	9 W	94 lm/W	≤ 25			•					X 180, Z 27
18 W / 3000 K / Ø 225 mm / 120°														
ELSA DL 225 OP 120° 1500 830 DALI WH (white, similar to RAL 9003)	E010300240	3000 K	1500 lm	18 W	83 lm/W	≤ 25			•					X 240, Z 27
18 W / 4000 K / Ø 225 mm / 120°														
ELSA DL 225 OP 120° 1600 840 1-10V WH (white, similar to RAL 9003)	E010300158	4000 K	1600 lm	18 W	88 lm/W	≤ 25		•						X 240, Z 27



Product group / product name	Item no.	Colour temperature	Luminous flux (light)	Rated output	Luminous efficacy	Unified Glare Rating	230 V (ON / OFF)	1 - 10 V	DALI	ELC	BT (Bluetooth)	KNX	Sensor	Dimensions (mm)
Accessories														
ELSA-2 RING 65 (white)	E010300288													X 120, Z 1,5
ELSA-2 RING 165 (white)	E010300271													X 215, Z 1,5
ELSA-2 RING 225 (white)	E010300264													X 280, Z 1,5
ELSA-2 MOUNTING FRAME 165 SM WH (white, similar to RAL 9003)	E010300882													X 250, Z 70
ELSA-2 MOUNTING FRAME 225 SM WH (white, similar to RAL 9003)	E010300899													X 310, Z 70
CABLE EXTENSION 1m (white)	E010300295													X 1000
JUNCTION BOX 5-POLE BK (black)	E010430947													X 120, Y 62, Z 30

Technical and design features may be subject to change.
 The power output may deviate from the specified value by +/- 10 %.
 The light contains built-in LED lamps. The lamps in the light cannot be changed.

INTELLIGENCE INCLUDED

ELSA-2 SERIES

The downlights of the ELSA-2 series not only provide elegant lighting solutions for rooms or passageways; they also feature designs with an integrated motion detector. This reduces energy consumption as well as installation costs and keeps the ceiling looking neat and tidy. The low installation depth also simplifies installation, with no additional accessories required. A large number of designs increase the application possibilities – and the lighting creates a harmonious look.

- High-quality, round aluminium housing
- Installation with no additional accessories, electronic ballast included in delivery
- Simple plug-in connection of the electronic ballast to the light
- Dimmer function available with DALI
- Protection type IP40, below the ceiling IP44
- Flicker-free light for healthy and fatigue-free working
- DALI variants with SwitchDIM function for 230 V push button
- Variants with integrated presence or motion detector, optimised for controlling additional LED lights, remote controllable



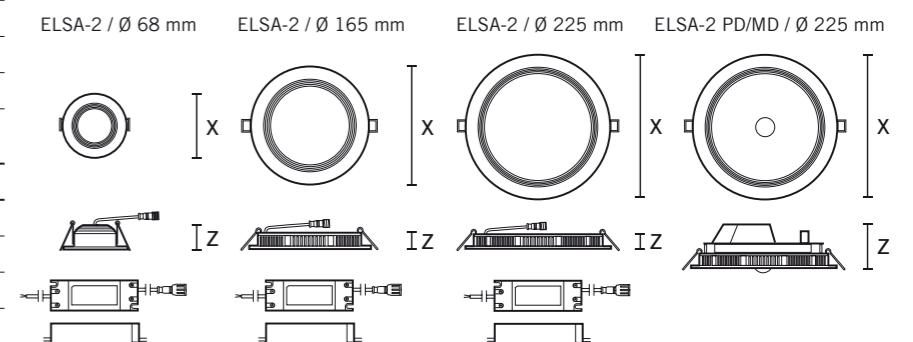
Surface-mounted ceiling frames available as accessories for 165 mm and 225 mm designs.

General technical data

Nominal voltage	220 - 240 V / 50 - 60 Hz
Rated life time L_{50}/B_{50} at 25°C	40000 h
Colour rendering index (CRI)	> 80
Permissible ambient temperature	-20 °C...+40 °C
Protection type	IP20 / IP44 (built-in)
Protection class	II
Installation type	Built-in
Installation position	Ceiling
Material	Aluminium, powder-coated white

With integrated motion detector:

Detection angle	360°
Detection range diagonally	Ø 8 m (MD), 6 m (PD DALI)
Switch-off delay time	1 s...15 min
Level of brightness	5 - 2000 lx



Technical and design features may be subject to change.
The power output may deviate from the specified value by +/- 10 %.
The light contains built-in LED lamps. The lamps in the light cannot be changed.

- High-quality aluminium housing with low installation depth
- Variants with integrated presence or motion detector, optimised for controlling additional LED lights
- Sensorless DALI variants with SwitchDIM function for 230 V button

PRODUCT OVERVIEW

- High-quality, round aluminium housing
- Installation with no additional accessories, electronic ballast included in delivery
- Simple plug-in connection of the electronic ballast to the light
- Dimmer function available with DALI
- Protection type IP40, below the ceiling IP44
- Flicker-free light for healthy and fatigue-free working
- DALI variants with SwitchDIM function for 230 V push button
- Variants with integrated presence or motion detector, optimised for controlling additional LED lights, remote controllable



Product group / product name	Item no.	Colour temperature	Luminous flux (light)	Rated output	Luminous efficacy	Unified Glare Rating	230 V (ON / OFF)	1 - 10 V	DALI	ELC	BT (Bluetooth)	KNX	Sensor	Dimensions (mm)	New product
5 W / 3000 K / Ø 68 mm / 100°															
ELSA-2 DL 68 OP 100° 500 830 DALI WH (white, similar to RAL 9003)	E010298905	3000 K	500 lm	5 W	100 lm/W	≤ 30			•					X 98, Z 45	
ELSA-2 DL 68 OP 100° 500 830 WH (white, similar to RAL 9003)	E010298967	3000 K	500 lm	5 W	100 lm/W	≤ 30	•							X 98, Z 45	
5 W / 4000 K / Ø 68 mm / 100°															
ELSA-2 DL 68 OP 100° 500 840 DALI WH (white, similar to RAL 9003)	E010298912	4000 K	500 lm	5 W	100 lm/W	≤ 30			•					X 98, Z 45	
ELSA-2 DL 68 OP 100° 500 840 WH (white, similar to RAL 9003)	E010298974	4000 K	500 lm	5 W	100 lm/W	≤ 30	•							X 98, Z 45	
9 W / 3000 K / Ø 165 mm / 110°															
ELSA-2 DL 165 OP 110° 900 830 DALI WH (white, similar to RAL 9003)	E010298929	3000 K	850 lm	9 W	94 lm/W	≤ 25			•					X 180, Z 25	
ELSA-2 DL 165 OP 110° 900 830 WH (white, similar to RAL 9003)	E010298981	3000 K	850 lm	9 W	94 lm/W	≤ 25	•							X 180, Z 25	
9 W / 4000 K / Ø 165 mm / 110°															
ELSA-2 DL 165 OP 110° 900 840 DALI WH (white, similar to RAL 9003)	E010298936	4000 K	850 lm	9 W	94 lm/W	≤ 25			•					X 180, Z 25	
ELSA-2 DL 165 OP 110° 900 840 WH (white, similar to RAL 9003)	E010298998	4000 K	850 lm	9 W	94 lm/W	≤ 25	•							X 180, Z 25	
18 W / 3000 K / Ø 225 mm / 110°															
ELSA-2 DL 225 OP 110° 1800 830 DALI WH (white, similar to RAL 9003)	E010298943	3000 K	1750 lm	18 W	97 lm/W	≤ 25			•					X 240, Z 25	
ELSA-2 DL 225 OP 110° 1800 830 WH (white, similar to RAL 9003)	E010299001	3000 K	1750 lm	18 W	97 lm/W	≤ 25	•							X 240, Z 25	
ELSA-2 DL 225 OP 110° 1800 830 MD WH (white, similar to RAL 9003)	E010299025*	3000 K	1750 lm	18 W	97 lm/W	≤ 25	•						•	X 240, Z 70	★
ELSA-2 DL 225 OP 110° 1800 830 PD PS DALI WH (white, similar to RAL 9003)	E010299681*	3000 K	1750 lm	18 W	97 lm/W	≤ 25			•				•	X 240, Z 70	★
ELSA-2 DL 225 OP 110° 1800 830 PD DALI WH (white, similar to RAL 9003)	E010299698*	3000 K	1750 lm	18 W	97 lm/W	≤ 25			•				•	X 240, Z 70	★



Product group / product name	Item no.	Colour temperature	Luminous flux (light)	Rated output	Luminous efficacy	Unified Glare Rating	230 V (ON / OFF)	1 - 10 V	DALI	ELC	BT (Bluetooth)	KNX	Sensor	Dimensions (mm)	New product
18 W / 4000 K / Ø 225 mm / 110°															
ELSA-2 DL 225 OP 110° 1800 840 DALI WH (white, similar to RAL 9003)	E010298950	4000 K	1750 lm	18 W	97 lm/W	≤ 25			•					X 240, Z 25	
ELSA-2 DL 225 OP 110° 1800 840 WH (white, similar to RAL 9003)	E010299018	4000 K	1750 lm	18 W	97 lm/W	≤ 25	•							X 240, Z 25	
ELSA-2 DL 225 OP 110° 1800 840 MD WH (white, similar to RAL 9003)	E010299032*	4000 K	1750 lm	18 W	97 lm/W	≤ 25	•						•	X 240, Z 70	★
ELSA-2 DL 225 OP 110° 1800 840 PD PS DALI WH (white, similar to RAL 9003)	E010299667*	4000 K	1750 lm	18 W	97 lm/W	≤ 25			•				•	X 240, Z 70	★
ELSA-2 DL 225 OP 110° 1800 840 PD DALI WH (white, similar to RAL 9003)	E010299674*	4000 K	1750 lm	18 W	97 lm/W	≤ 25			•				•	X 240, Z 70	★
Accessories															
ELSA-2 RING 65 (white)	E010300288													X 120, Z 1,5	
ELSA-2 RING 165 (white)	E010300271													X 215, Z 1,5	
ELSA-2 RING 225 (white)	E010300264													X 280, Z 1,5	
ELSA-2 MOUNTING FRAME 165 SM WH (white, similar to RAL 9003)	E010300882													X 250, Z 70	
ELSA-2 MOUNTING FRAME 225 SM WH (white, similar to RAL 9003)	E010300899													X 310, Z 70	
CABLE EXTENSION 1m (white)	E010300295													X 1000	
JUNCTION BOX 5-POLE BK (black)	E010430947													X 120, Y 62, Z 30	

* Expected available from Q2 2020.

Technical and design features may be subject to change.
The power output may deviate from the specified value by +/- 10 %.
The light contains built-in LED lamps. The lamps in the light cannot be changed.

VERSATILITY SQUARED

ELSA SQUARE SERIES

The downlights of the ELSA SQUARE series offer an alternative with a clear, straight design that, in combination with a corresponding ceiling style, provides consistency of shape. They are equally well suited to use as a main lighting fixture or to complementing the main lighting, and their installation requires no additional accessories. A large number of designs in various sizes, shapes, output types, light colours and operating modes increase the application range – and the lighting creates a harmonious look.

- High-quality square aluminium housing
- Installation without additional accessories; ballast included in delivery
- Simple plug-in connection of the ballast to the light
- Protection type IP20, below the ceiling IP44
- Flicker-free light for healthy and fatigue-free working

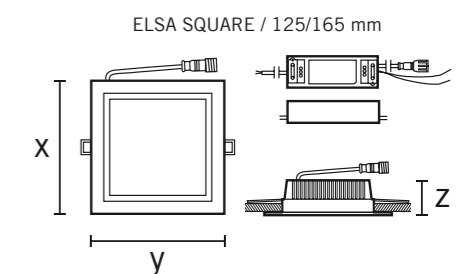


- High-quality aluminium housing in square design

General technical data

Nominal voltage	230 V / 50 Hz
Rated life time L_{50}/B_{50} at 25°C	40000 h
Colour rendering index (CRI)	> 80
Permissible ambient temperature	-20 °C...+40 °C
Protection type	IP20 / IP44 (built-in)
Protection class	II
Installation type	Built-in
Installation position	Ceiling
Material	Aluminium, powder-coated white

Technical and design features may be subject to change.
The power output may deviate from the specified value by +/- 10 %.
The light contains built-in LED lamps. The lamps in the light cannot be changed.



PRODUCT OVERVIEW

- High-quality square aluminium housing
- Installation without additional accessories; ballast included in delivery
- Simple plug-in connection of the ballast to the light
- Protection type IP20, below the ceiling IP44
- Flicker-free light for healthy and fatigue-free working



Product group / product name	Item no.	Colour temperature	Luminous flux (light)	Rated output	Luminous efficacy	Unified Glare Rating	230 V (ON / OFF)	1 - 10 V	DALI	ELC	BT (Bluetooth)	KNX	Sensor	Dimensions (mm)
9 W / 3000 K / 125 mm / 100°														
ELSA Square DL 125 OP 100° 700 830 WH (white, similar to RAL 9003)	E010300301	3000 K	700 lm	10 W	70 lm/W	≤ 25	•							X 145, Y 145, Z 44,5
ELSA Square DL 125 OP 100° 700 830 DALI WH (white, similar to RAL 9003)	E010300400	3000 K	700 lm	10 W	70 lm/W	≤ 25		•						X 145, Y 145, Z 44,5
ELSA Square DL 125 OP 100° 700 830 1-10V WH (white, similar to RAL 9003)	E010300509	3000 K	700 lm	10 W	70 lm/W	≤ 25		•						X 145, Y 145, Z 44,5
9 W / 4000 K / 125 mm / 100°														
ELSA Square DL 125 OP 100° 700 840 WH (white, similar to RAL 9003)	E010300318	4000 K	700 lm	10 W	70 lm/W	≤ 25	•							X 145, Y 145, Z 44,5
ELSA Square DL 125 OP 100° 700 840 DALI WH (white, similar to RAL 9003)	E010300417	4000 K	700 lm	10 W	70 lm/W	≤ 25		•						X 145, Y 145, Z 44,5
ELSA Square DL 125 OP 100° 700 840 1-10V WH (white, similar to RAL 9003)	E010300516	4000 K	700 lm	10 W	70 lm/W	≤ 25		•						X 145, Y 145, Z 44,5
12 W / 3000 K / 125 mm / 100°														
ELSA Square DL 125 OP 100° 800 830 WH (white, similar to RAL 9003)	E010300325	3000 K	810 lm	14 W	57 lm/W	≤ 25	•							X 145, Y 145, Z 44,5
ELSA Square DL 125 OP 100° 800 830 DALI WH (white, similar to RAL 9003)	E010300424	3000 K	810 lm	14 W	57 lm/W	≤ 25		•						X 145, Y 145, Z 44,5
ELSA Square DL 125 OP 100° 800 830 1-10V WH (white, similar to RAL 9003)	E010300523	3000 K	810 lm	14 W	57 lm/W	≤ 25		•						X 145, Y 145, Z 44,5
12 W / 4000 K / 125 mm / 100°														
ELSA Square DL 125 OP 100° 800 840 WH (white, similar to RAL 9003)	E010300332	4000 K	810 lm	14 W	57 lm/W	≤ 25	•							X 145, Y 145, Z 44,5
ELSA Square DL 125 OP 100° 800 840 DALI WH (white, similar to RAL 9003)	E010300431	4000 K	810 lm	14 W	57 lm/W	≤ 25		•						X 145, Y 145, Z 44,5
ELSA Square DL 125 OP 100° 800 840 1-10V WH (white, similar to RAL 9003)	E010300530	4000 K	810 lm	14 W	57 lm/W	≤ 25		•						X 145, Y 145, Z 44,5

Product group / product name	Item no.	Colour temperature	Luminous flux (light)	Rated output	Luminous efficacy	Unified Glare Rating	230 V (ON / OFF)	1 - 10 V	DALI	ELC	BT (Bluetooth)	KNX	Sensor	Dimensions (mm)
15 W / 3000 K / 125 mm / 100°														
ELSA Square DL 125 OP 100° 1200 830 WH (white, similar to RAL 9003)	E010300349	3000 K	1220 lm	16 W	76 lm/W	≤ 28	•							X 145, Y 145, Z 44,5
ELSA Square DL 125 OP 100° 1200 830 DALI WH (white, similar to RAL 9003)	E010300448	3000 K	1220 lm	16 W	76 lm/W	≤ 28		•						X 145, Y 145, Z 44,5
15 W / 4000 K / 125 mm / 100°														
ELSA Square DL 125 OP 100° 1300 840 WH (white, similar to RAL 9003)	E010300356	4000 K	1300 lm	16 W	81 lm/W	≤ 28	•							X 145, Y 145, Z 44,5
ELSA Square DL 125 OP 100° 1300 840 DALI WH (white, similar to RAL 9003)	E010300455	4000 K	1300 lm	16 W	81 lm/W	≤ 28		•						X 145, Y 145, Z 44,5
ELSA Square DL 125 OP 100° 1300 840 1-10V WH (white, similar to RAL 9003)	E010300554	4000 K	1300 lm	16 W	81 lm/W	≤ 28		•						X 145, Y 145, Z 44,5
15 W / 3000 K / 165 mm / 100°														
ELSA Square DL 165 OP 100° 1200 830 DALI WH (white, similar to RAL 9003)	E010300462	3000 K	1220 lm	16 W	76 lm/W	≤ 28		•						X 190, Y 165, Z 57,5
15 W / 4000 K / 165 mm / 100°														
ELSA Square DL 165 OP 100° 1300 840 WH (white, similar to RAL 9003)	E010300370	4000 K	1300 lm	16 W	81 lm/W	≤ 28	•							X 190, Y 165, Z 57,5

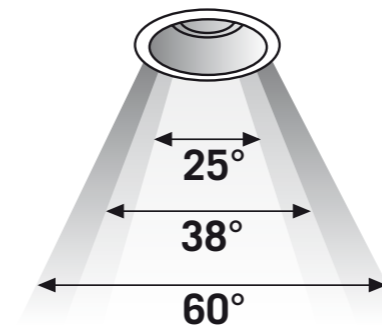
Technical and design features may be subject to change.
 The power output may deviate from the specified value by +/- 10 %.
 The light contains built-in LED lamps. The lamps in the light cannot be changed.

EFFECTIVE ATMOSPHERE

STINA SERIES

Plenty of scope for creating atmospheric or effect lighting – this is what the downlights of the STINA series are designed to provide. The lights are available with three different beam angles, offering a range that allows you to select the right variant for virtually any requirement. The electronic ballast units for all operating modes are included in delivery, along with pre-assembled connectors and clamps. What's more, they feature an outstandingly low UGR glare rating!

- High-quality aluminium housing
- Variants with a variety of beam angles (25°, 38° and 60°)
- Suitable for computer workplaces and technical drawing in accordance with DIN EN 12464-1 (UGR ≤ 16)
- Flicker-free light for healthy and fatigue-free working



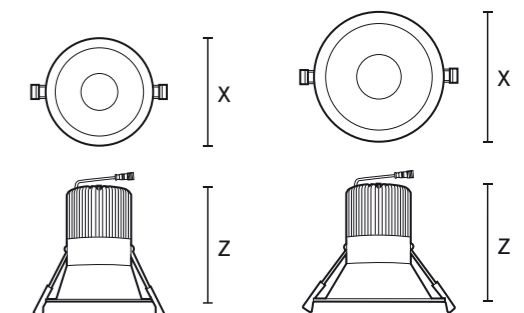
Designs with various beam angles of 25, 38 or 60 degrees are available.

General technical data

Nominal voltage	230 V / 50 Hz
Rated life time L_{50}/B_{50} at 25°C	60000 h
Colour rendering index (CRI)	> 80
Unified Glare Rating	≤ 16
Permissible ambient temperature	-20 °C...+40 °C
Protection type	IP20 / IP44 (built-in)
Protection class	II
Installation type	Built-in
Installation position	Ceiling
Material	Aluminium, powder-coated

Technical and design features may be subject to change.
The power output may deviate from the specified value by +/- 10 %.
The light contains built-in LED lamps. The lamps in the light cannot be changed.

STINA / Ø 90 mm / 25° STINA / Ø 112 mm / 38° / 60°



• Best glare suppression in the downlights sector

PRODUCT OVERVIEW

- High-quality aluminium housing
- Variants with a variety of beam angles (25°, 38° and 60°)
- Suitable for computer workplaces and technical drawing in accordance with DIN EN 12464-1 (UGR ≤ 16)
- Flicker-free light for healthy and fatigue-free working
- Electronic ballast included in delivery
- Simple plug-in connection of the electronic ballast to the luminaire
- Variants with pre-wired junction box for fast installation and easy through-wiring



Product group / product name	Item no.	Colour temperature	Luminous flux (light)	Rated output	Luminous efficacy	Unified Glare Rating	230 V (ON / OFF)	1 - 10 V	DALI	ELC	BT (Bluetooth)	KNX	Sensor	Dimensions (mm)
15 W / 3000 K / Ø 90 mm / 25°														
STINA DL 90 TR 25° 1200 830 BK (black, similar to RAL 9005)	E010304002	3000 K	1150 lm	16 W	71 lm/W	≤ 16	•							X 109, Z 118,5
STINA DL 90 TR 25° 1300 830 WH (white, similar to RAL 9003)	E010304101	3000 K	1300 lm	16 W	81 lm/W	≤ 16	•							X 109, Z 118,5
STINA DL 90 TR 25° 1200 830 DALI BK (black, similar to RAL 9005)	E010304200	3000 K	1150 lm	16 W	71 lm/W	≤ 16		•						X 109, Z 118,5
STINA DL 90 TR 25° 1300 830 DALI WH (white, similar to RAL 9003)	E010304309	3000 K	1300 lm	16 W	81 lm/W	≤ 16		•						X 109, Z 118,5
15 W / 3000 K / Ø 90 mm / 38°														
STINA DL 90 TR 38° 1200 830 BK (black, similar to RAL 9005)	E010304026	3000 K	1150 lm	16 W	71 lm/W	≤ 16	•							X 109, Z 118,5
STINA DL 90 TR 38° 1300 830 WH (white, similar to RAL 9003)	E010304125	3000 K	1300 lm	16 W	81 lm/W	≤ 16	•							X 109, Z 118,5
STINA DL 90 TR 38° 1200 830 DALI BK (black, similar to RAL 9005)	E010304224	3000 K	1150 lm	16 W	71 lm/W	≤ 16		•						X 109, Z 118,5
STINA DL 90 TR 38° 1300 830 DALI WH (white, similar to RAL 9003)	E010304323	3000 K	1300 lm	16 W	81 lm/W	≤ 16		•						X 109, Z 118,5
15 W / 3000 K / Ø 90 mm / 60°														
STINA DL 90 TR 60° 1200 830 BK (black, similar to RAL 9005)	E010304040	3000 K	1150 lm	16 W	71 lm/W	≤ 16	•							X 109, Z 118,5
STINA DL 90 TR 60° 1300 830 WH (white, similar to RAL 9003)	E010304149	3000 K	1300 lm	16 W	81 lm/W	≤ 16	•							X 109, Z 118,5
STINA DL 90 TR 60° 1200 830 DALI BK (black, similar to RAL 9005)	E010304248	3000 K	1150 lm	16 W	71 lm/W	≤ 16		•						X 109, Z 118,5
STINA DL 90 TR 60° 1300 830 DALI WH (white, similar to RAL 9003)	E010304347	3000 K	1300 lm	16 W	81 lm/W	≤ 16		•						X 109, Z 118,5
15 W / 4000 K / Ø 90 mm / 25°														
STINA DL 90 TR 25° 1200 840 BK (black, similar to RAL 9005)	E010304019	4000 K	1150 lm	16 W	71 lm/W	≤ 16	•							X 109, Z 118,5
STINA DL 90 TR 25° 1300 840 WH (white, similar to RAL 9003)	E010304118	4000 K	1300 lm	16 W	81 lm/W	≤ 16	•							X 109, Z 118,5
STINA DL 90 TR 25° 1200 840 DALI BK (black, similar to RAL 9005)	E010304217	4000 K	1150 lm	16 W	71 lm/W	≤ 16		•						X 109, Z 118,5
STINA DL 90 TR 25° 1300 840 DALI WH (white, similar to RAL 9003)	E010304316	4000 K	1300 lm	16 W	81 lm/W	≤ 16		•						X 109, Z 118,5
15 W / 4000 K / Ø 90 mm / 38°														
STINA DL 90 TR 38° 1200 840 BK (black, similar to RAL 9005)	E010304033	4000 K	1150 lm	16 W	71 lm/W	≤ 16	•							X 109, Z 118,5
STINA DL 90 TR 38° 1300 840 WH (white, similar to RAL 9003)	E010304132	4000 K	1300 lm	16 W	81 lm/W	≤ 16	•							X 109, Z 118,5
STINA DL 90 TR 38° 1200 840 DALI BK (black, similar to RAL 9005)	E010304231	4000 K	1150 lm	16 W	71 lm/W	≤ 16		•						X 109, Z 118,5
STINA DL 90 TR 38° 1300 840 DALI WH (white, similar to RAL 9003)	E010304330	4000 K	1300 lm	16 W	81 lm/W	≤ 16		•						X 109, Z 118,5

Product group / product name	Item no.	Colour temperature	Luminous flux (light)	Rated output	Luminous efficacy	Unified Glare Rating	230 V (ON / OFF)	1 - 10 V	DALI	ELC	BT (Bluetooth)	KNX	Sensor	Dimensions (mm)
15 W / 4000 K / Ø 90 mm / 60°														
STINA DL 90 TR 60° 1200 840 BK (black, similar to RAL 9005)	E010304057	4000 K	1150 lm	16 W	71 lm/W	≤ 16	•							X 109, Z 118,5
STINA DL 90 TR 60° 1200 840 DALI BK (black, similar to RAL 9005)	E010304255	4000 K	1150 lm	16 W	71 lm/W	≤ 16		•						X 109, Z 118,5
STINA DL 90 TR 60° 1300 840 DALI WH (white, similar to RAL 9003)	E010304354	4000 K	1300 lm	16 W	81 lm/W	≤ 16		•						X 109, Z 118,5
15 W / 3000 K / Ø 112 mm / 38°														
STINA DL 112 TR 38° 1200 830 BK (black, similar to RAL 9005)	E010304064	3000 K	1150 lm	16 W	71 lm/W	≤ 16	•							X 130, Z 118,5
STINA DL 112 TR 38° 1300 830 WH (white, similar to RAL 9003)	E010304163	3000 K	1300 lm	16 W	81 lm/W	≤ 16	•							X 130, Z 118,5
STINA DL 112 TR 38° 1200 830 DALI BK (black, similar to RAL 9005)	E010304262	3000 K	1150 lm	16 W	71 lm/W	≤ 16		•						X 130, Z 118,5
STINA DL 112 TR 38° 1300 830 DALI WH (white, similar to RAL 9003)	E010304361	3000 K	1300 lm	16 W	81 lm/W	≤ 16		•						X 130, Z 118,5
15 W / 3000 K / Ø 112 mm / 60°														
STINA DL 112 TR 60° 1200 830 BK (black, similar to RAL 9005)	E010304088	3000 K	1150 lm	16 W	71 lm/W	≤ 16	•							X 130, Z 118,5
STINA DL 112 TR 60° 1200 830 DALI BK (black, similar to RAL 9005)	E010304286	3000 K	1150 lm	16 W	71 lm/W	≤ 16		•						X 130, Z 118,5
STINA DL 112 TR 60° 1300 830 DALI WH (white, similar to RAL 9003)	E010304385	3000 K	1300 lm	16 W	81 lm/W	≤ 16		•						X 130, Z 118,5
15 W / 4000 K / Ø 112 mm / 38°														
STINA DL 112 TR 38° 1200 840 BK (black, similar to RAL 9005)	E010304071	4000 K	1150 lm	16 W	71 lm/W	≤ 16	•							X 130, Z 118,5
STINA DL 112 TR 38° 1300 840 WH (white, similar to RAL 9003)	E010304170	4000 K	1300 lm	16 W	81 lm/W	≤ 16	•							X 130, Z 118,5
STINA DL 112 TR 38° 1200 840 DALI BK (black, similar to RAL 9005)	E010304279	4000 K	1150 lm	16 W	71 lm/W	≤ 16		•						X 130, Z 118,5
STINA DL 112 TR 38° 1300 840 DALI WH (white, similar to RAL 9003)	E010304378	4000 K	1300 lm	16 W	81 lm/W	≤ 16		•						X 130, Z 118,5
15 W / 4000 K / Ø 112 mm / 60°														
STINA DL 112 TR 60° 1200 840 BK (black, similar to RAL 9005)	E010304095	4000 K	1150 lm	16 W	71 lm/W	≤ 16	•							X 130, Z 118,5
STINA DL 112 TR 60° 1300 840 WH (white, similar to RAL 9003)	E010304194	4000 K	1300 lm	16 W	81 lm/W	≤ 16	•							X 130, Z 118,5
STINA DL 112 TR 60° 1200 840 DALI BK (black, similar to RAL 9005)	E010304293	4000 K	1150 lm	16 W	71 lm/W	≤ 16		•						X 130, Z 118,5
STINA DL 112 TR 60° 1300 840 DALI WH (white, similar to RAL 9003)	E010304392	4000 K	1300 lm	16 W	81 lm/W	≤ 16		•						X 130, Z 118,5

Technical and design features may be subject to change.
 The power output may deviate from the specified value by +/- 10 %.
 The light contains built-in LED lamps. The lamps in the light cannot be changed.

OTHER SOLUTIONS FOR INDOOR LIGHTING

Intelligent lighting systems for offices, classrooms or patient rooms, floor lights and pendant lights for individual or open-plan offices, escape route signage and lighting that conform to the required standards: ESYLUX offers a wide range of products for indoor lighting. The innovative lighting solutions impress with long-life LED technology and functional design – and, wherever possible, they are controlled by an integrated sensor system!



**LIGHTING SYSTEMS
WITH ESYLUX LIGHT CONTROL ELC**
Quadro-Sets for the best light in the workplace.



**OFFICE LIGHTS
ISABELLE SERIES**
Flexible energy savings with integrated sensors.



**EMERGENCY LIGHTS
SLE/SLF SERIES**
Escape route lights with dual function.



**WALL AND CEILING LIGHTS
ALMA SERIES**
Elegant, robust, optionally intelligent.



OTHER SOLUTIONS FOR INTELLIGENT CONTROL OF INDOOR LIGHTING

As an automation specialist, ESYLUX does of course offer standalone solutions for intelligent lighting control. Our range of presence and motion detectors for inside use includes variants for all applications and budgets, for both conventional and LED lighting. The flexibility and reliability of the detectors are impressive – as is the installation process, which is as simple as ever.



**PRESENCE AND MOTION DETECTORS
COMPACT SERIES**
Great variety for a wide range of applications.



**PRESENCE AND MOTION DETECTORS
FLAT SERIES**
Flat design with highest performance levels.



**PRESENCE AND MOTION DETECTORS
COMPACT MINI SERIES**
Tiny but powerful.



**PRESENCE AND MOTION DETECTORS
BASIC SERIES**
Complete energy efficiency on a small budget.



ESYLUX Deutschland GmbH

An der Strusbek 40
22926 Ahrensburg | Deutschland
t: +49 4102 489 0
info@esylux.de
www.esylux.de

ESYLUX Belgium nv

Vlamstraat 7 bus 2
9450 Denderhoutem-Haaltert | België
t: +32 53 850 570
info@esylux.be
www.esylux.be

ESYLUX Danmark ApS

Kokholm 3A
6000 Kolding | Danmark
t: +45 76 72 90 90
info@esylux.dk
www.esylux.dk

ESYLUX France SARL

5 rue de Castiglione
75001 Paris | France
t: +33 1 5345 10 55
info@esylux.fr
www.esylux.fr

ESYLUX Nederland B.V.

Leeghwaterstraat 35
3364 AE Slidrecht | Nederland
t: +31 184 647 000
info@esylux.nl
www.esylux.nl

ESYLUX Norge AS

Strandveien 33
1366 Lysaker | Norge
t: +47 2255 52 00
info@esylux.no
www.esylux.no

ESYLUX Österreich GmbH

Hafenstraße 2A
4020 Linz | Österreich
t: +43 732 788 188 0
info@esylux.at
www.esylux.at

ESYLUX Portugal, Lda.

Lagoas Park Edifício 8, Piso 1
2740-244 Porto Salvo | Portugal
t: +351 214 236 170
comercial@esylux.pt
www.esylux.pt

ESYLUX Russia

ООО "ИЗИЛЮКС РУ"
ул. Лётная, д. 21, пом. VI
141018, г. Мытищи,
Московская область | Россия
t: +7 495 782 72 40
info@esylux.ru
www.esylux.ru

ESYLUX Suomi Oy

c/o Oy DJ5-Automation AB
Vitikka 1 D
02630 Espoo | Suomi
t: +358 20 779 26 60
info@esylux.fi
www.esylux.fi

ESYLUX Sverige AB

Färögatan 33
164 51 Kista | Sverige
t: +46 470 853 00
info@esylux.se
www.esylux.se

ESYLUX Swiss AG

Steinackerstrasse 29
Postfach
8302 Kloten | Schweiz
t: +41 44 808 61 00
info@esylux.ch
www.esylux.ch

ESYLUX Asia Ltd.

No. 4 32/F Saxon Tower
7 Cheung Shun Street
Lai Chi Kok | Kowloon | Hong Kong
t: +852 3107 89 12
sales@esylux.com.hk
www.esylux.com.hk

ESYLUX GmbH (Export)

An der Strusbek 40
22926 Ahrensburg | Germany
t: +49 4102 888 80 0
sales@esylux.com
www.esylux.com

